

Uniclass L782	
CI/SIB (42)	H

Version 16.1, March 2017

[®] ZzyLO

Radius and Square Profiles

Preformed Pipe Casings & Pipe Boxing

British Innovation,

 Design & Manufacture

www.pipecasings.co.uk



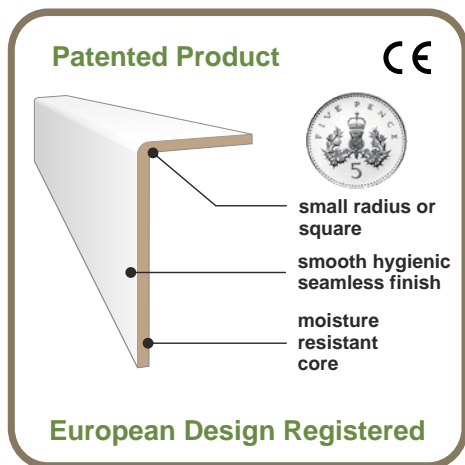
The mark of responsible forestry



Introduction

Zylo preformed pipe casings and boxings are a patented and design registered range of innovative products for encasing unsightly pipes, ductwork and structures. They offer the tradesman a quality, low cost solution for encasing pipes and building services, at substantially reduced costs with regard to installation time, materials, and labour compared to other methods.

The widest range of standard sizes and profiles are all manufactured at our factory and supplied directly to trade customers.



Our patented manufacturing methods enable us to produce an infinite number of shapes and sizes which cannot be produced by other techniques.

In addition to our standard range, we welcome enquiries for non-standard shapes and sizes.

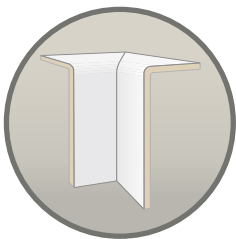


Square Corners - Radius Corners

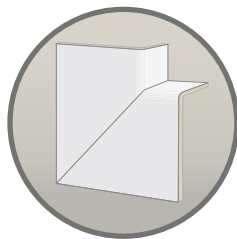


Uniquely, we manufacture an extensive range of square and radius corner seamless one piece pipe casings and pipe boxing sections in many sizes and configurations together with a comprehensive range of fittings as shown below.

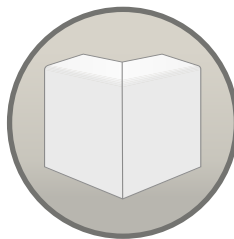
Comprehensive Range of Fittings



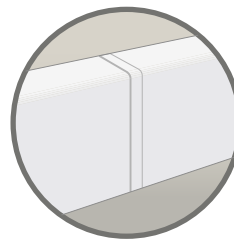
**Standard Inside
Corners**



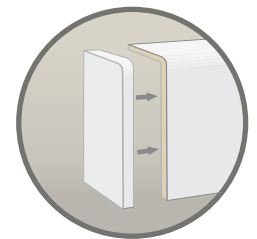
**Reverse Angle
Inside Corners**



**Outside
Corners**

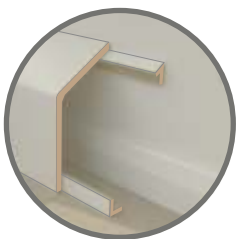


**Cover
Strips**



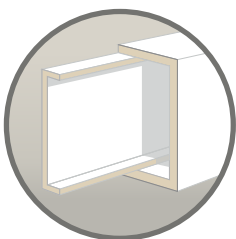
**Stop
Ends**

Fixing Brackets



We manufacture our own purpose made square corner and sloping top brackets which have major advantages over traditional timber laths and softwood battens.

They are lightweight, of minimal cross sectional area and perfectly formed to the correct angle. They will not warp during storage or split whilst being fixed. The thin 6mm section makes them easy to attach to structures with a much shorter screw.

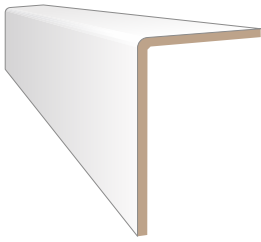


Also see "**Backboards**" on **Page 15**.



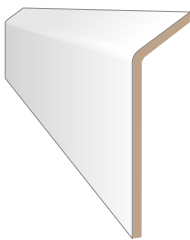
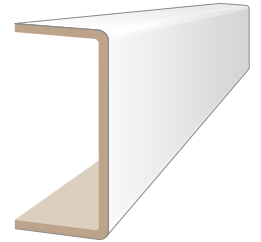
Profile Selection

Radius Corner Pipe Casing Range



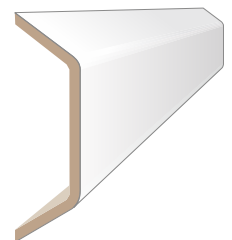
L Profile
Two sided 90 degree radius corner pipe casing.

U Profile
Three sided 90 degree radius corner pipe casing.

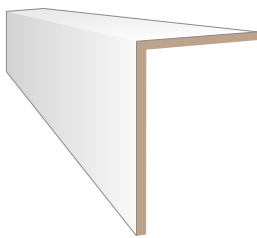


R Profile
Two sided 120 degree radius corner pipe casing.

C Profile
Three sided 120 degree radius corner pipe casing.

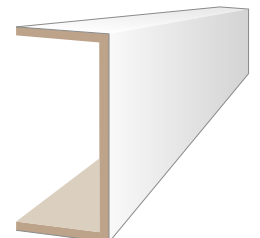


Square Corner Pipe Boxing Range

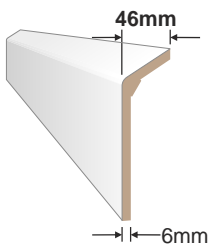


BX2 Profile
Two sided 90 degree square corner pipe boxing.

BX3 Profile
Three sided 90 degree square corner pipe boxing.

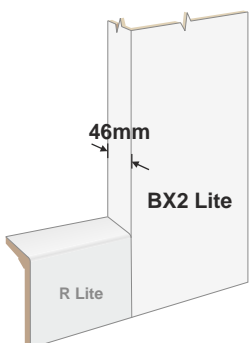
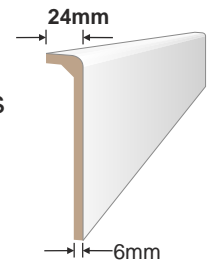


Zylo Lite Hollow Skirting Range



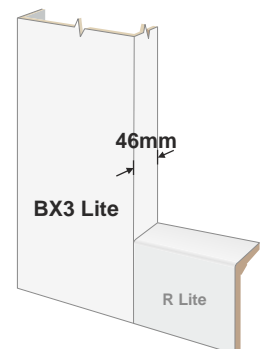
R Lite
Two sided 120 degree radius corner pipe skirting.

L Lite
Two sided 90 degree radius corner cable skirting.



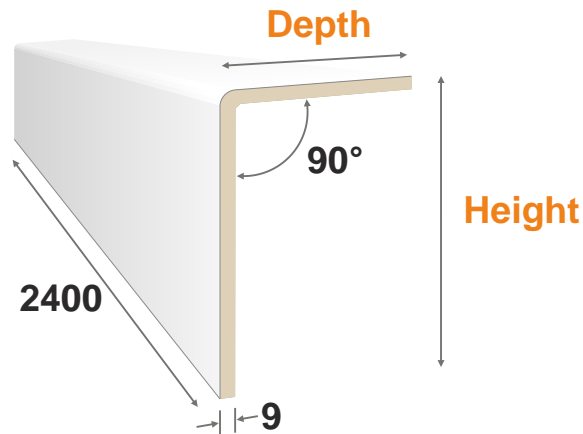
BX2 Lite
Two sided 46mm deep vertical square corner pipe boxing for use in conjunction with R Lite Pipe Skirting.

BX3 Lite
Three sided 46mm deep vertical square corner pipe boxing for use in conjunction with R Lite Pipe Skirting.





L Profile Sizes



Standard Sizes										
Depth	Heights									
50	100	120	150	200	250	300	350	400	450	
80	100	120	150	200	250	300	350	400	450	
100	100	120	150	200	250	300	350	400	450	
120		120	150	200	250	300	350	400	450	
150			150	200	250	300	350	400	450	
200				200	250	300	350	400	450	
250					250	300	350	400	450	
300						300	350	400	450	

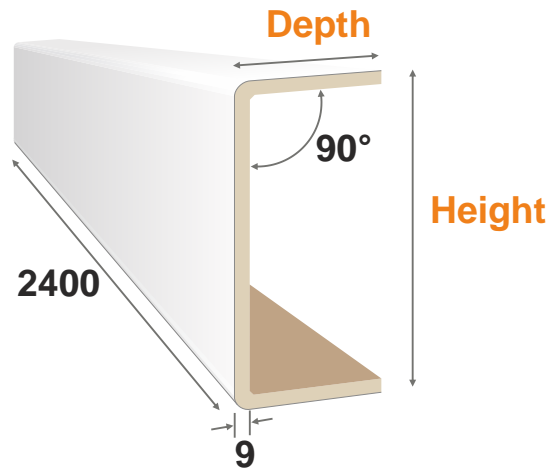
Non-standard Sizes also available to special order

Fitting	Maximum Size
Cover Strips	All Sizes
Stop Ends	All Sizes
Inside Corners (standard)	Depth 250mm ; Height 450mm
Inside Corners (reverse angle)	Depth 200mm ; Height 300mm
Outside Corners	Depth 250mm ; Height 450mm

Finishes			
Standard White (paintable)	✓	White Gloss	✓



U Profile Sizes



Standard Sizes								
Depth	Heights							
50	150	200	250	300	350	400	450	
80	150	200	250	300	350	400	450	
100	150	200	250	300	350	400	450	
120	150	200	250	300	350	400	450	
150	150	200	250	300	350	400	450	
200		200	250	300	350	400	450	
250			250	300	350	400	450	
300				300	350	400	450	

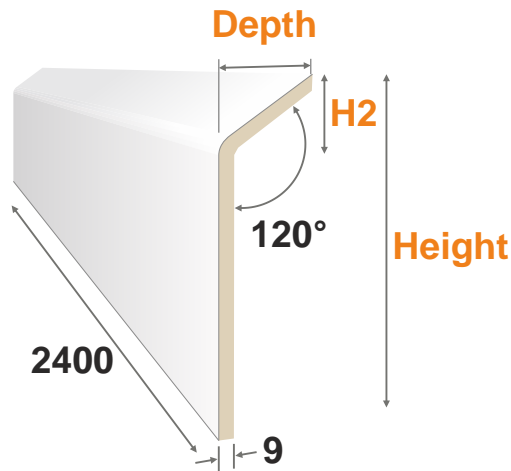
Non-standard Sizes also available to special order

Fitting	Maximum Size
Cover Strips	All Sizes
Stop Ends	All Sizes
Inside Corners (standard)	Depth 250mm ; Height 450mm
Inside Corners (reverse angle)	Depth 200mm ; Height 300mm
Outside Corners	Depth 250mm ; Height 450mm

Finishes			
Standard White (paintable)	✓	White Gloss	✓



R Profile Sizes



Standard Sizes										
Depth	Heights									H2
50	100	120	150	200	250	300	350	400	450	29
80	100	120	150	200	250	300	350	400	450	46
100			150	200	250	300	350	400	450	58
120				200	250	300	350	400	450	69
150					250	300	350	400	450	86
200						350	400	450		116

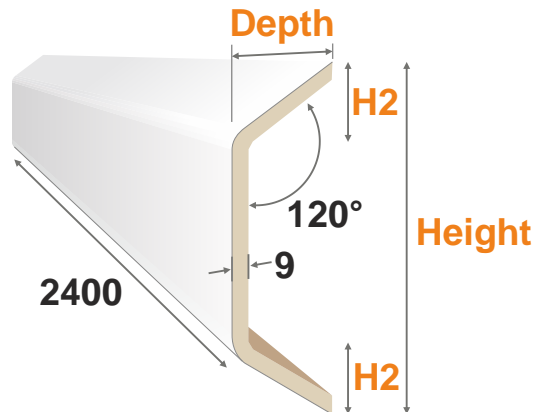
Non-standard Sizes also available to special order

Fitting	Maximum Size
Cover Strips	All Sizes
Stop Ends	All Sizes
Inside Corners (standard)	All Sizes
Inside Corners (reverse angle)	Depth 200mm ; Height 300mm
Outside Corners	All Sizes

Finishes			
Standard White (paintable)	✓	White Gloss	✓



C Profile Sizes



Standard Sizes								
Depth	Heights							H2
50	150	200	250	300	350	400	450	29
80	200	250	300	350	400	450		46
100		250	300	350	400	450		58
120			300	350	400	450		69
150				350	400	450		86
200					450			116

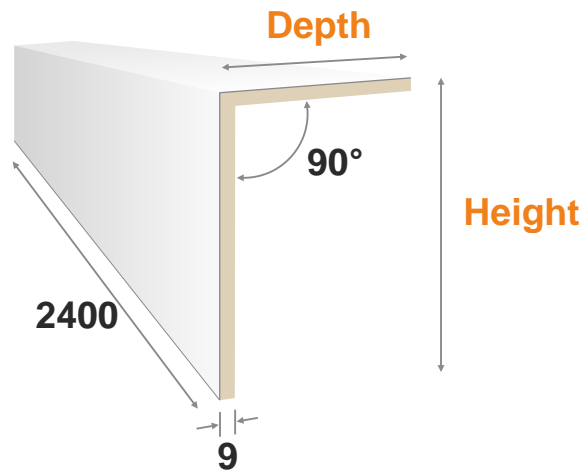
Non-standard Sizes also available to special order

Availability of Fittings	
Cover Strips	All Sizes
Stop Ends	All Sizes
Inside Corners	Maximum Size 200 deep & 450 high
Outside Corners	Maximum Size 200 deep & 450 high

Finishes			
Standard White (paintable)	✓	White Gloss	✓



BX2 Profile Sizes



Standard Sizes										
Depth	Heights									
50	100	120	150	200	250	300	350	400	450	
80	100	120	150	200	250	300	350	400	450	
100	100	120	150	200	250	300	350	400	450	
120		120	150	200	250	300	350	400	450	
150			150	200	250	300	350	400	450	
200				200	250	300	350	400	450	
250					250	300	350	400	450	
300						300	350	400	450	

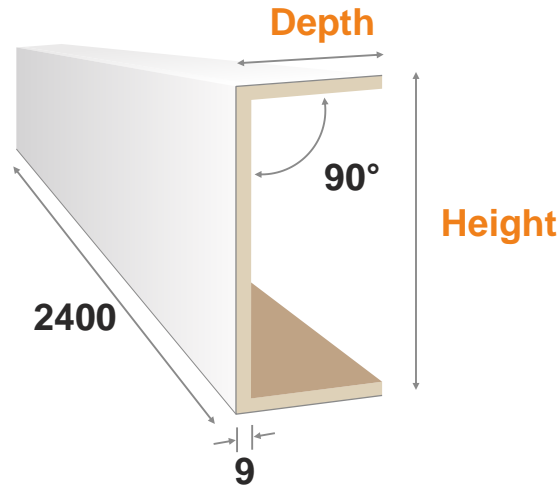
Non-standard Sizes also available to special order

Fitting	Maximum Size
Cover Strips	All Sizes
Stop Ends	All Sizes
Inside Corners (standard)	Depth 250mm ; Height 450mm
Inside Corners (reverse angle)	Depth 200mm ; Height 300mm
Outside Corners	Depth 250mm ; Height 450mm

Finishes			
Standard White (paintable)	✓	White Gloss	✓



BX3 Profile Sizes



Standard Sizes										
Depth	Heights									
50	100	120	150	200	250	300	350	400	450	
80	100	120	150	200	250	300	350	400	450	
100	100	120	150	200	250	300	350	400	450	
120		120	150	200	250	300	350	400	450	
150			150	200	250	300	350	400	450	
200				200	250	300	350	400	450	
250					250	300	350	400	450	
300						300	350	400	450	

Non-standard Sizes also available to special order

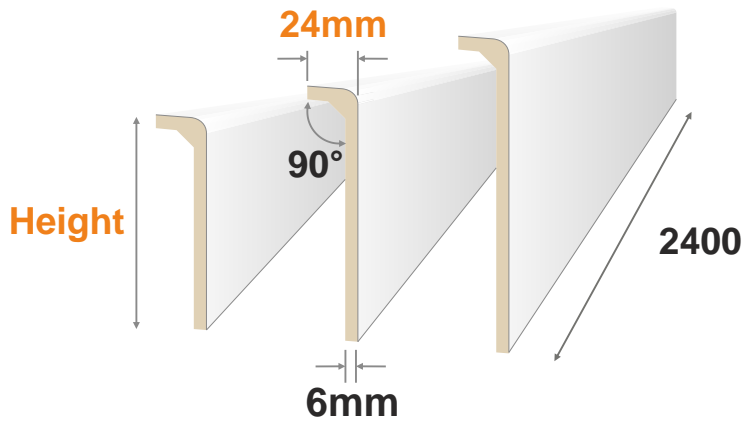
Fitting	Maximum Size
Cover Strips	All Sizes
Stop Ends	All Sizes
Inside Corners (standard)	Depth 250mm ; Height 450mm
Inside Corners (reverse angle)	Depth 200mm ; Height 300mm
Outside Corners	Depth 250mm ; Height 450mm

Finishes			
Standard White (paintable)	✓	White Gloss	✓



L Lite & R Lite

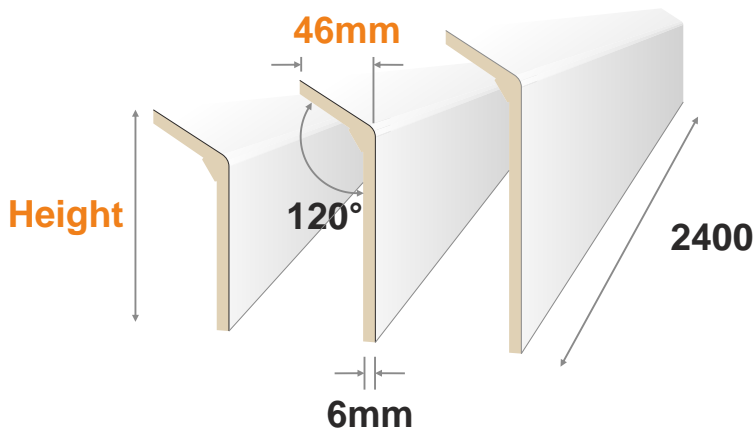
L Lite - Flat Top Cable Skirting



External Sizes			
Depth	Heights		
24	100	120	150

Fittings
Stop Ends
Cover Strips

R Lite - Sloping Top Pipe Skirting



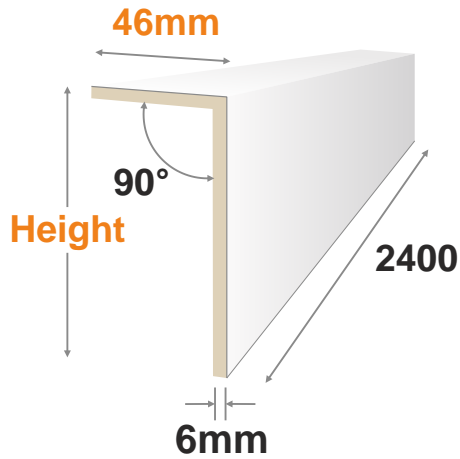
External Sizes			
Depth	Heights		
46	120	150	200

Fittings
Stop Ends
Cover Strips
Inside Corners
Outside Corners



BX2 & BX3 Lite

BX2 Lite - Vertical Boxing for R Lite

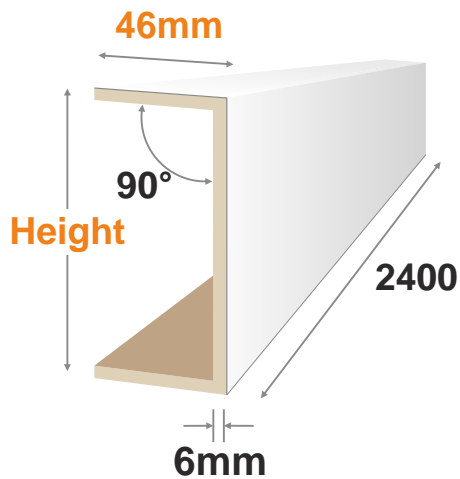


Provides flush intersection between R Lite and BX2 Lite

External Sizes				
Depth	Heights			
46	120	150	200	250

Fittings
Stop Ends
Cover Strips

BX3 Lite - Vertical Boxing for R Lite



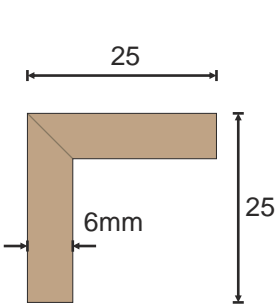
Provides flush intersection between R Lite and BX3 Lite

External Sizes				
Depth	Heights			
46	120	150	200	250

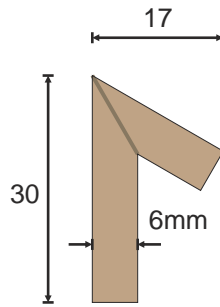
Fittings
Stop Ends
Cover Strips



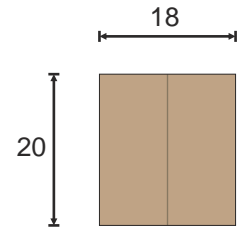
Support Brackets



B1 Bracket



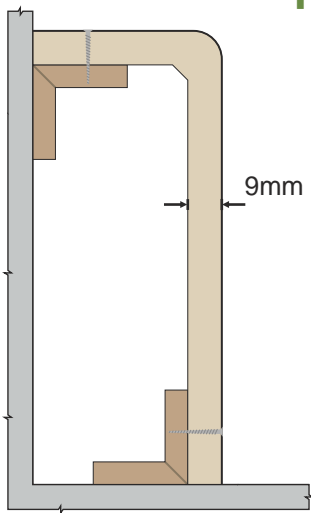
B2 Bracket



B3 Bracket

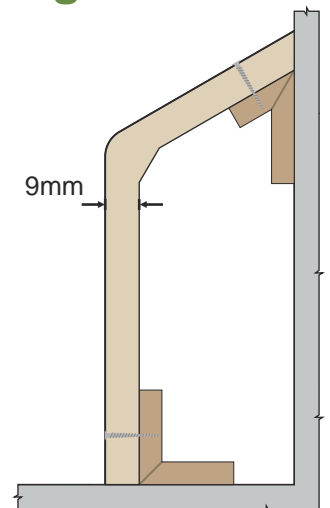
Also see Custom Made Back Boards, Page 15

Pipe Casing & Pipe Boxing Bracketing



Zylo brackets are designed to secure our pipe casing and pipe boxing products to walls, ceilings and floors.

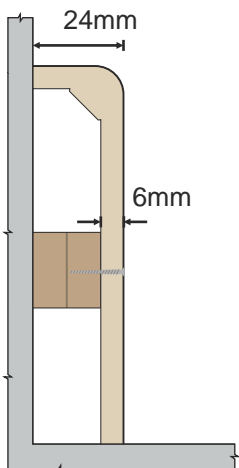
The brackets occupy the smallest area within the profiles, maximising the internal space for services.



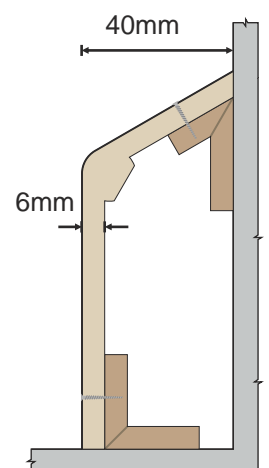
L Lite

6mm Lite Range

R Lite



Zylo Lite sections utilise the same brackets as our standard 9mm range. The exception to this is our 24mm deep L Lite profile which requires one or more of our 18mm deep B3 spacer brackets.



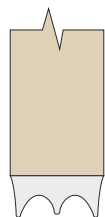
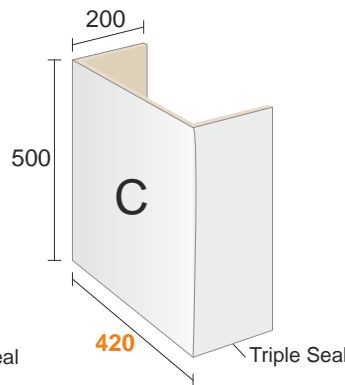
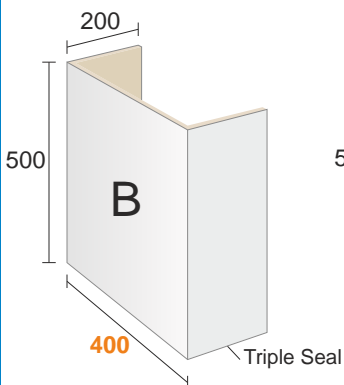
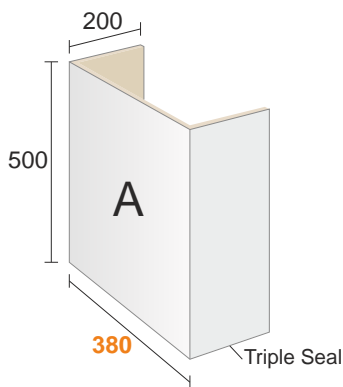


Boiler Pipework Casings

Zylo Boiler Casings are designed to encase boiler pipework and flues in a one piece seamless product with no external joints. The design features square corners and a waterproof seal at the base which effectively prevents both water ingress and the casing from sliding around on the surface in free standing applications.

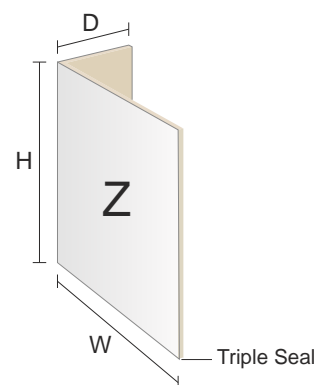
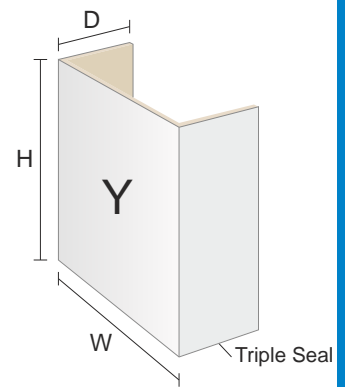
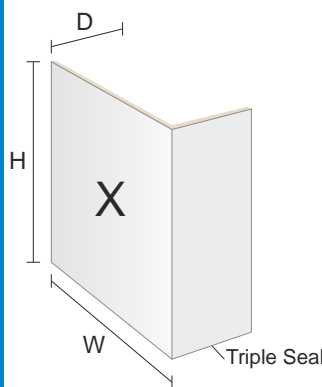
The finish is semi matt white which is suitable for painting, wall papering or tiling to match your chosen decor. Boiler Casings are available in three standard widths and three custom configurations .

Standard Range



Triple Blade Soft Seal

Custom Range

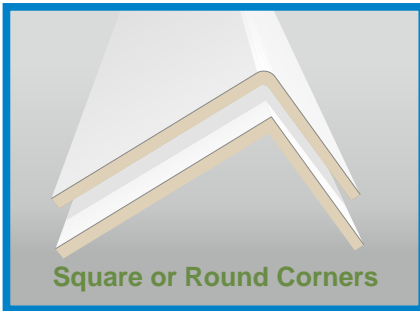


Custom Range - Size Constraints

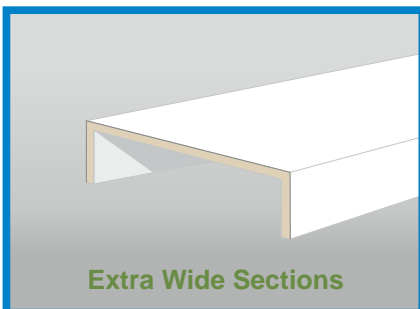
Ref.	Minimum	Maximum
Depth	150	300
Width	350	450
Height	500	1200



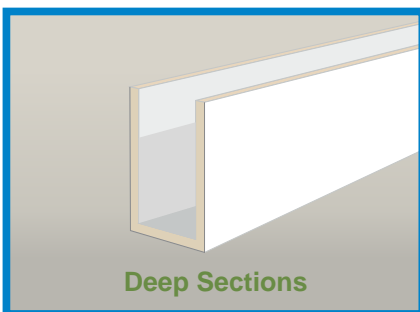
Customised Solutions



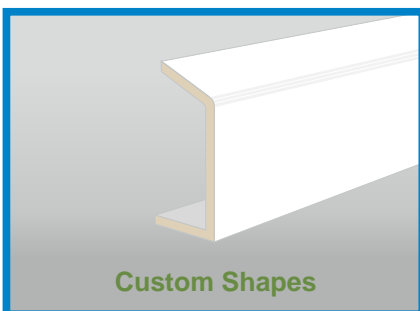
We can manufacture a wide variety of non-standard sections with radius and / or square corners. Some examples are shown below. If you require a non-standard size or a shape please contact our sales department for advice on your exact requirements.



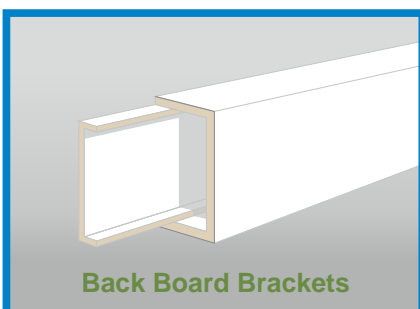
Extra wide sections can be manufactured beyond our standard range with a choice of square or radius corners. The size limit for a seamless one piece section of this configuration would be that the total length of the three sides does not exceed 1200mm.



Deep sections where the two leg sections are extended, can be manufactured with a choice of square or radius corners. The size limit for a seamless one piece section of this configuration would be that the total length of the three sides does not exceed 1200mm.



Custom shapes such as the example shown in the illustration combining square and round corners can be made to your requirements. Again, the limitation on size would be that the total length of the sides does not exceed 1200mm on a seamless one piece section.



Back board brackets can be manufactured for all our pipe casing and pipe boxing products. This alternative to loose brackets makes installation simpler as they span between joists and partition walls for easy fixing across the whole of the back board. Also, the sides of the back board are parallel and lend themselves for easy fixing of pipework and cabling brackets into the back board rather than using plugs and screws.



The Environment



The Environment

At Zylo we are obliged to do as much as possible to limit our impact on the environment. As the vast majority of our products are wood based, a renewable resource, we ensure our materials are purchased from sources who hold the same values as us. We are proud to have achieved FSC® (Forest Stewardship Council) Chain of Custody membership, meaning the materials used to manufacture our products originate from responsibly managed sources and are in turn sold to us by responsible suppliers.

Materials Used

The Core - the moisture resistant core is made from wood residues, sawmill by-products and pulpwood, all from managed forests. Supplied by the leading European manufacturer of medium density fibreboard, the core material contains no hardwoods and it is of FSC® 70% mix.

External Coating - our external coatings are manufactured from bleach free resin impregnated papers, composed of managed wood and wood waste. Impregnation resins and lacquer finishes are water-based and free

of hazardous or harmful substances. The smooth finish decreases the requirement for undercoats, paints and other surface treatments. This is also of FSC® 70% mix.

Adhesives - all adhesives are water based and largely biodegradable with no hazardous waste. Our unique manufacturing process employs cold bonding techniques which require very low energy consumption compared to the heat and pressure methods associated with alternative steam bent ply products.

Packaging & Transportation

We use the minimum of packaging that is practically possible including the use of recycled corrugated cardboard and paper products that are preferably sourced within the UK. Our transport policy is designed to ensure efficient and effective use of our own and contract transport resources. National carriers, local hauliers or own transport are all used according to size of consignment, to optimise fuel consumption, reduce partial loads and minimise the environmental impact.



Specification

Sizes

All Zylo pipe casing and pipe boxing products are manufactured in standard lengths of 2400mm. There are a wide range of sizes with matching fittings available, to enable a neat and efficient installation. Non-standard sizes, extra deep and wide sections can usually be manufactured to special order.

Construction

Pipe Casings

Zylo pipe casings are manufactured in four profile shapes, namely L,U,R and C. They are formed from an inner core of 9mm moisture resistant medium density fibreboard using a patented process resulting in a profile with a tight radius bend of 7.5mm, wrapped in a smooth seamless outer coating.

Pipe Boxings

The Zylo "BX" range of pipe boxings are manufactured in two and three sided profile shapes, namely BX2 and BX3. They are formed from an inner core of 9mm moisture resistant medium density fibreboard, mitred to 90 degrees and wrapped in a seamless outer coating. The resultant corner joints have a radius of approximately 1.5mm.

Zylo lite

The Zylo lite range of casings are manufactured in profiles, L lite, R lite, BX2 lite and BX3 lite. Formed from an inner core of 6mm moisture resistant medium density fibreboard using a patented process resulting in a profile with a tight radius bend of 7.5mm for the L Lite and R Lite sections and a tight 1.5mm radius on the square cornered BX2 Lite and BX3 Lite sections, all wrapped in a smooth seamless outer coating.

Fittings

Proprietary, 90 degree inside and outside corners are available for most Pipe Casing and Pipe Boxing profile shapes and sizes. This eliminates untidy on site mitred joints, speeds up and simplifies installation, thus ensuring a professional finish every time. Cover strips are formed from an extruded aluminum profile specifically designed to act as a connection piece and slip joint. We recommend these to be used at all butt joints and between all profiles and fittings.

Finishes

Two seamless hygienic finishes are available as follows

Standard White - (paintable, semi-matt)

Our standard white plastic resin impregnated foil high resistant coating offers an attractive, low cost surface finish, with a smooth, flat surface. It has a good resistance to abrasion, scratches and a wide range of chemicals. When used as a base coat it has the desirable property of being a substitute for priming and undercoating, enabling a top coat to be applied directly to its surface. The majority of paints such as polyurethane and acrylics adhere well to the surface. The final physical characteristics and resistance to chemicals will depend upon the applied finish.

Chemically resistance: DIN 68861 Part 1B to 1D scale

Fastness to light: 6 on the International wool scale, DIN EN ISO 105-B02

Gloss White

Our white gloss finish is a plastic resin impregnated coating offering an attractive, low cost surface finish ideally suited for bathrooms and kitchens. It has a smooth, flat surface and good resistance to abrasion, scratches and a wide range of chemicals.

Chemically resistance: DIN 68861 Part 1B to 1D scale

Fastness to light: 6 on the International wool scale, DIN EN ISO 105-B02

Fire Protection

Our product has been tested and classified to EN 13501 and EN/TS 15117 Standards. For further details please contact our sales office.

All Zylo casing and boxing products supplied for use in the construction and civil engineering industries are CE marked according to the requirements of the harmonized European standard for wood based panels EN 13896. This provides the necessary assurance to customers and users that Zylo conforms with the European MDF standard, EN622-5 and meets all the essential requirements for the Construction Products Directive that are relevant to the product.

As a result of our policy of continuous product innovation, we reserve the right to change product specification without prior notice.



Our Contact Details

Address : BSMW Products Limited
Birds Royd Lane
Brighouse
West Yorkshire
HD6 1LQ

Telephone : 01484 713748

E-Mail : sales@pipecasings.co.uk

Web Site : www.pipecasings.co.uk

Enquiries :

Please email your enquiries to the above address and include your company details, delivery address if applicable, together with the product quantities you require.

Product quantities should include the profile shape, depth, height, finish and number of fittings corresponding to each particular size.