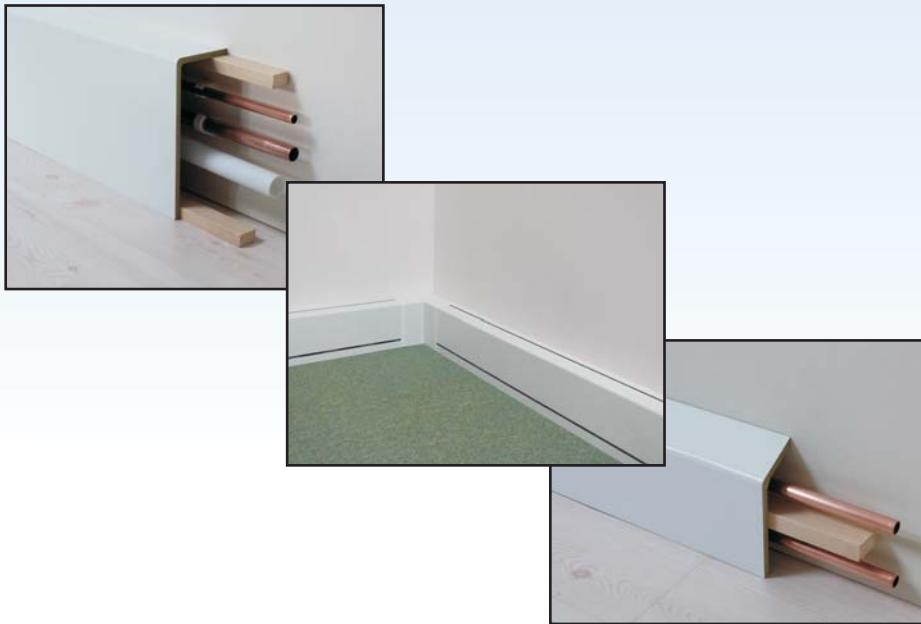


Uniclass L782	
CI/SfB (59) H	

Version 15, August 2016

<sup>®</sup>Zylo

## Pipe Casings and Pipe Boxing



British Innovation,  
  
Design & Manufacture

[www.pipecasings.co.uk](http://www.pipecasings.co.uk)

CE

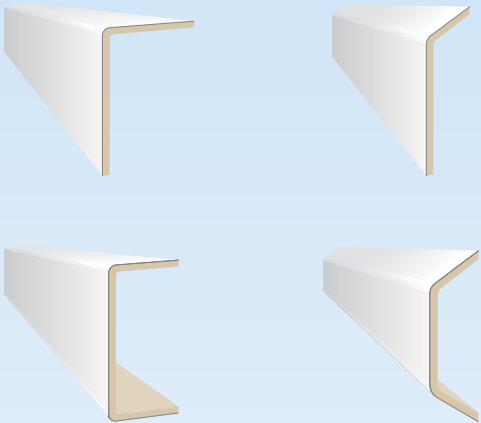
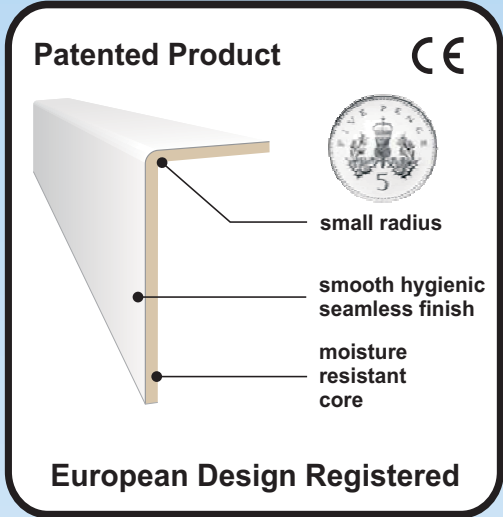
# Zylo<sup>®</sup> Encasement Products

Zylo preformed pipe casings and boxings are a patented and design registered range of innovative products for encasing unsightly pipes, ductwork and structures. They offer the tradesman a quality, low cost solution to encasing unsightly pipes and building services, whilst substantially reducing installation time, materials and labour costs.

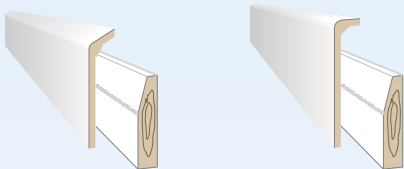
The widest range of standard sizes and profiles, are all manufactured at our factory and supplied directly to trade customers.

Our patented manufacturing methods enable us to produce an infinite number of shapes and sizes which cannot be produced by other techniques.

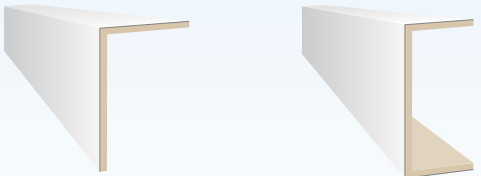
As well as our standard range, we welcome enquiries for non-standard shapes and sizes.



**Pipe Casing**

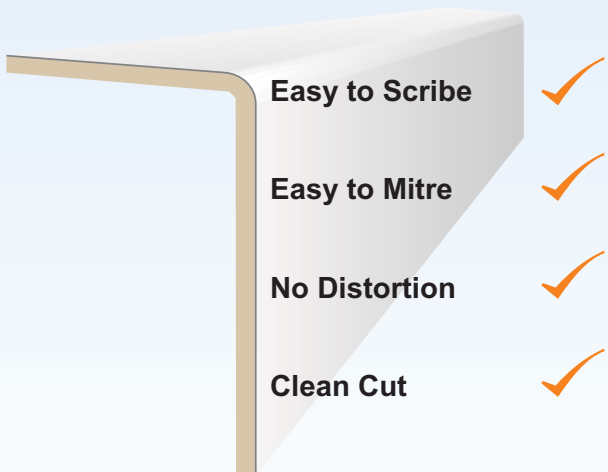


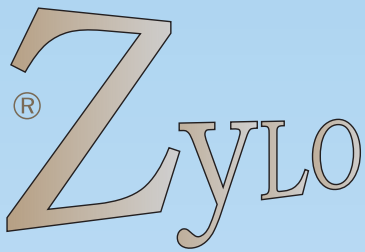
**Zylo lite**



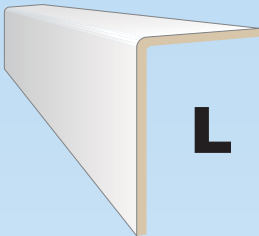
**Pipe Boxing**

## Features

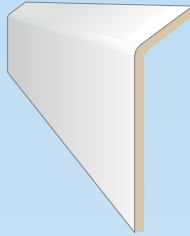




# Pipe Casings (radius corners)

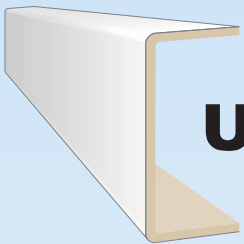


**L**

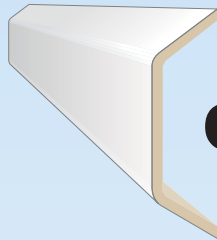


**R**

four profiles and a huge range of sizes



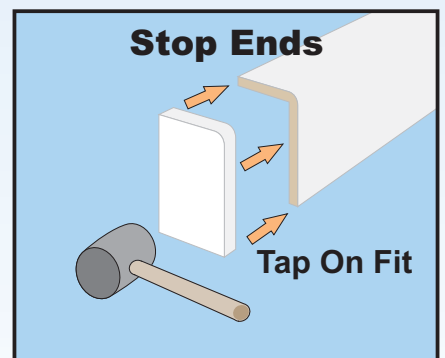
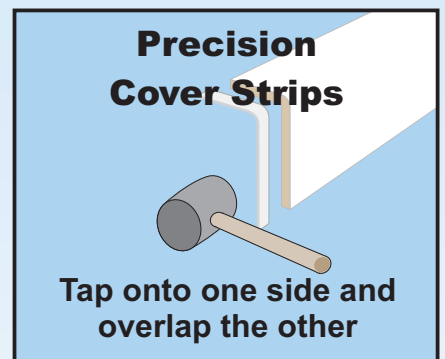
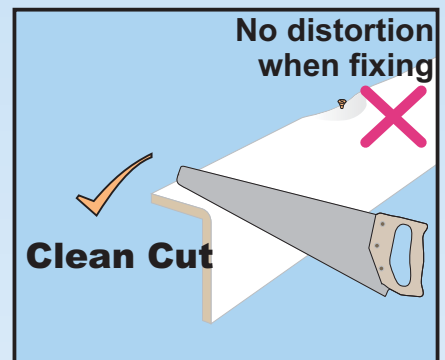
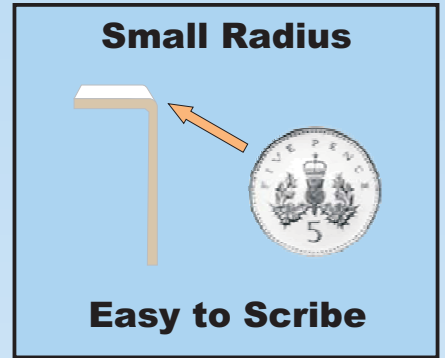
**U**

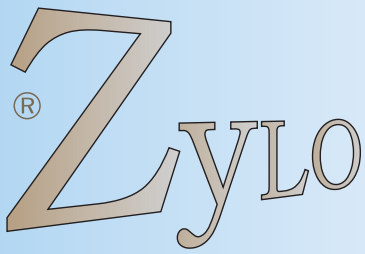


**C**

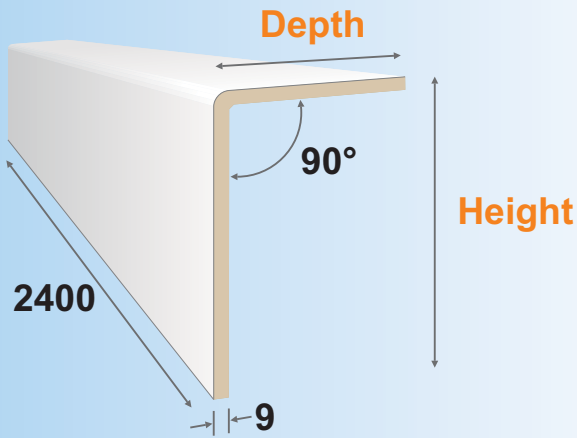
Zylo radius corner pipe casings come in four profile shapes, featuring small radius corners and a choice of two seamless outer coatings.

Encasing building services with Zylo enables a fast economical installation at a fraction of the cost of traditional on site boxings, and with more than 150 different standard sizes to choose from, there is always a suitable size available from our range.

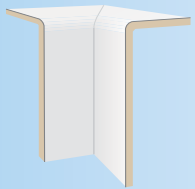




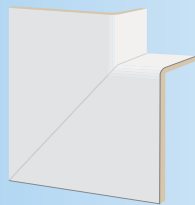
# L Profile (radius corners)



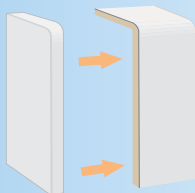
Finishes	
Standard White ( paintable )	✓
White Gloss	✓



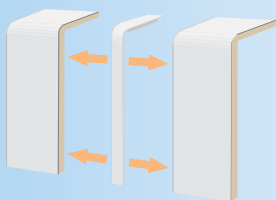
Inside Corner (Standard)



Inside Corner (Reverse Angle)



Stop Ends (left and right)

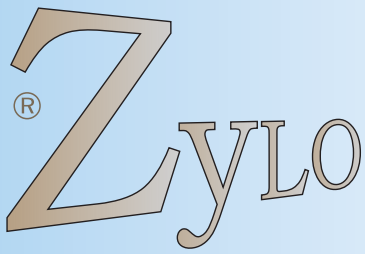


cover strips

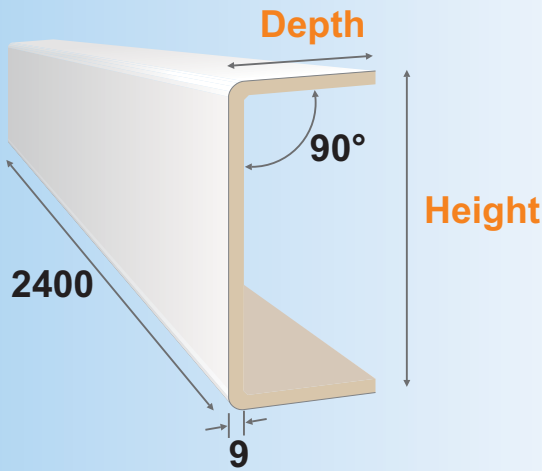
Standard Sizes										
Depth	Heights									
50	100	120	150	200	250	300	350	400	450	
80	100	120	150	200	250	300	350	400	450	
100	100	120	150	200	250	300	350	400	450	
120		120	150	200	250	300	350	400	450	
150			150	200	250	300	350	400	450	
200				200	250	300	350	400	450	
250					250	300	350	400	450	
300						300	350	400	450	

Non-standard Sizes also available to special order

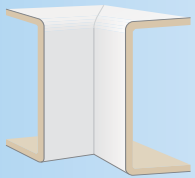
Fitting	Maximum Size
Cover Strips	All Sizes
Stop Ends	All Sizes
Inside Corners (standard)	Depth 250mm ; Height 450mm
Inside Corners (reverse angle)	Depth 200mm ; Height 300mm
Outside Corners	Depth 250mm ; Height 450mm



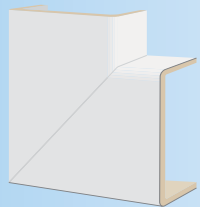
# U Profile (radius corners)



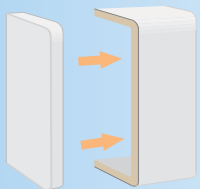
Finishes	
Standard White ( paintable )	✓
White Gloss	✓



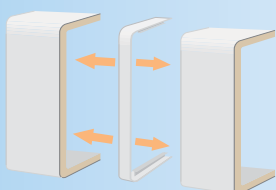
Inside Corner (Standard)



Inside Corner (Reverse Angle)



Stop Ends

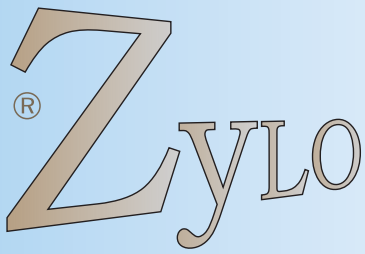


cover strips

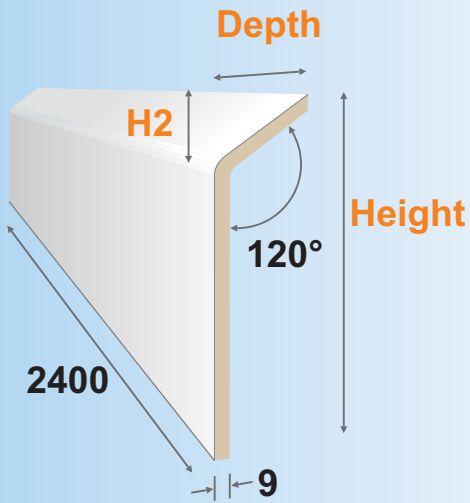
Standard Sizes								
Depth	Heights							
50	150	200	250	300	350	400	450	
80	150	200	250	300	350	400	450	
100	150	200	250	300	350	400	450	
120	150	200	250	300	350	400	450	
150	150	200	250	300	350	400	450	
200		200	250	300	350	400	450	
250			250	300	350	400	450	
300				300	350	400	450	

Non-standard Sizes available to special order

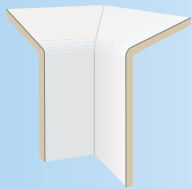
Fitting	Maximum Size
Cover Strips	All Sizes
Stop Ends	All Sizes
Inside Corners (standard)	Depth 250mm ; Height 450mm
Inside Corners (reverse angle)	Depth 200mm ; Height 300mm
Outside Corners	Depth 250mm ; Height 450mm



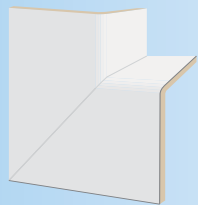
# R Profile (radius corners)



Finishes	
Standard White ( paintable )	✓
White Gloss	✓



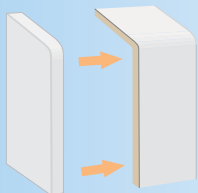
Inside Corner (Standard)



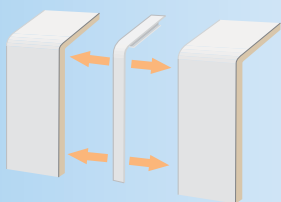
Inside Corner (Reverse Angle)

Standard Sizes										
Depth	Heights									H2
50	100	120	150	200	250	300	350	400	450	29
80	100	120	150	200	250	300	350	400	450	46
100			150	200	250	300	350	400	450	58
120				200	250	300	350	400	450	69
150					250	300	350	400	450	86
200						350	400	450		116

Non-standard Sizes available to special order

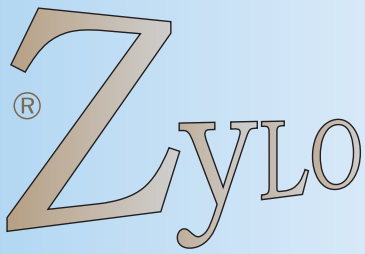


Stop Ends (left and right)

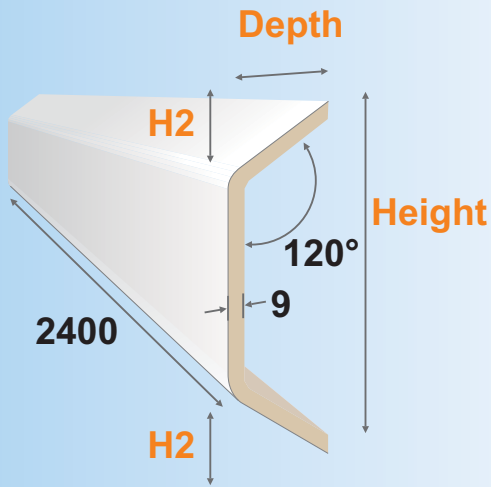


cover strips

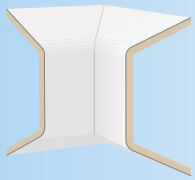
Fitting	Maximum Size
Cover Strips	All Sizes
Stop Ends	All Sizes
Inside Corners (standard)	All Sizes
Inside Corners (reverse angle)	Depth 200mm ; Height 300mm
Outside Corners	All Sizes



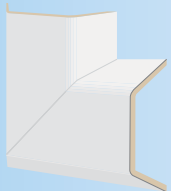
# C Profile (radius corner)



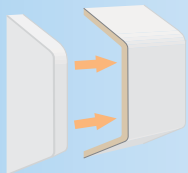
Finishes	
Standard White ( paintable )	✓
White Gloss	✓



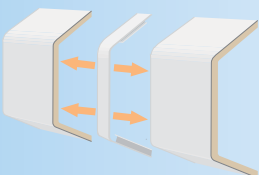
Inside Corner (Standard)



Inside Corner (Reverse Angle)



Stop Ends

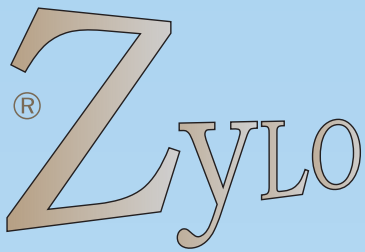


cover strips

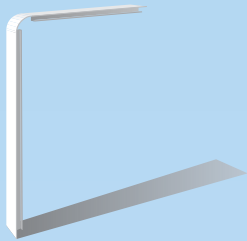
Standard Sizes								
Depth	Heights							H2
50	150	200	250	300	350	400	450	29
80	200	250	300	350	400	450		46
100	250	300	350	400	450			58
120	300	350	400	450				69
150	350	400	450					86
200	450							116

Non-standard Sizes available to special order

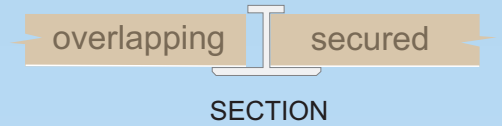
Availability of Fittings	
Cover Strips	All Sizes
Stop Ends	All Sizes
Inside Corners	Maximum Size 200 deep & 450 high
Outside Corners	Maximum Size 200 deep & 450 high



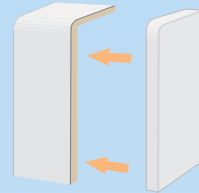
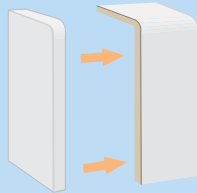
# Fittings Information



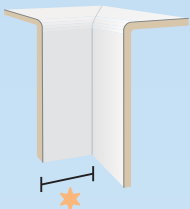
Zylo cover strips are formed from an aluminium extrusion which is shaped and powder coated for a perfect fit and match between sections and corner fittings. The I section can be tapped onto one section and overlaps the other.



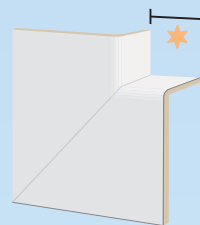
## Cover Strips



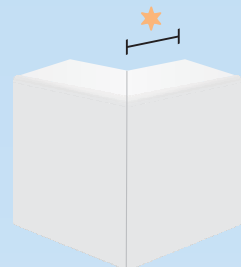
Left or right handed as required  
**Stop Ends**



Inside Corner  
(Standard)



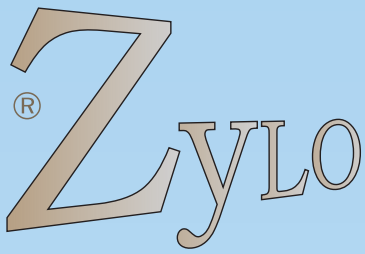
Inside Corner  
(Reverse Angle)



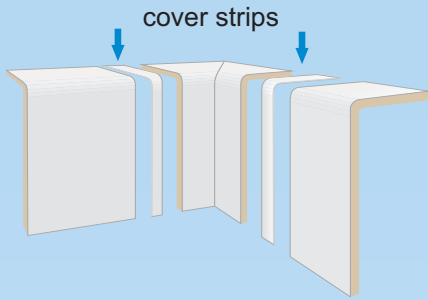
Outside Corner

**Corner Fitting Dimensions**    ★ = 100mm

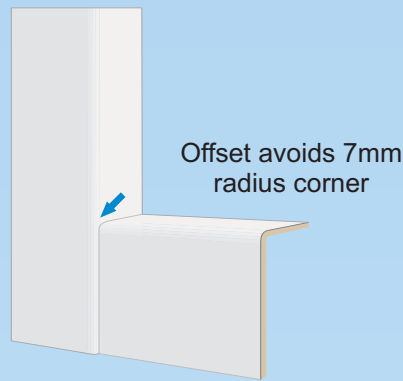




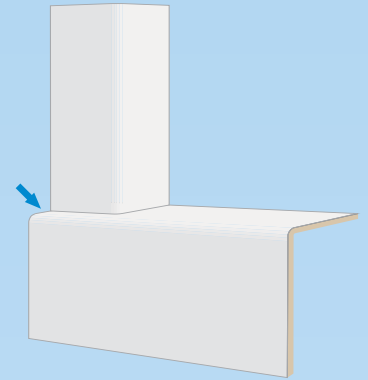
# Typical Corner Details



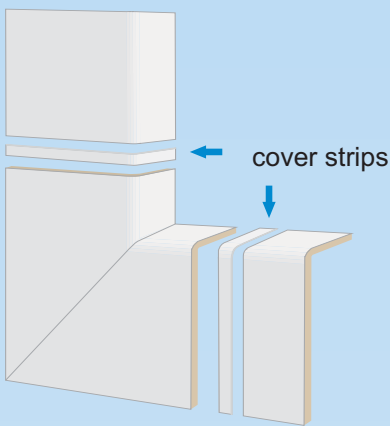
Standard Corner Fitting



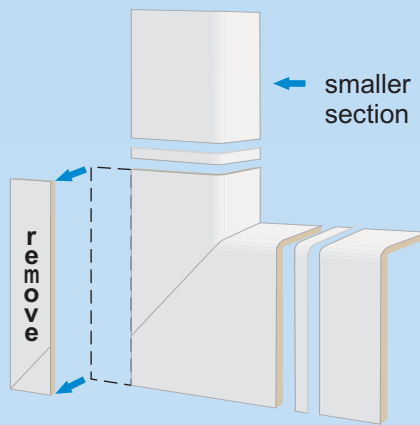
Butt Joint Corner



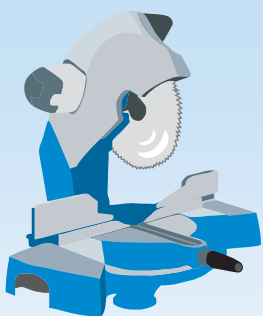
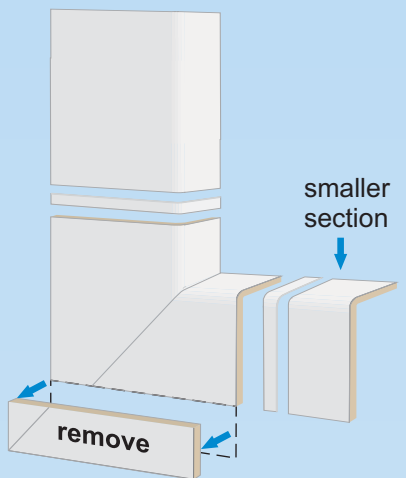
Stacked Butt Joint Corner



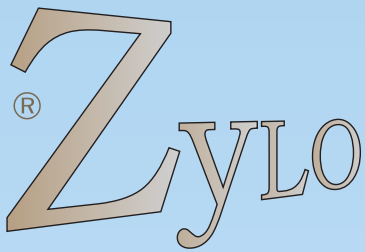
Reverse angle corner



Change in section using a reverse angle corner



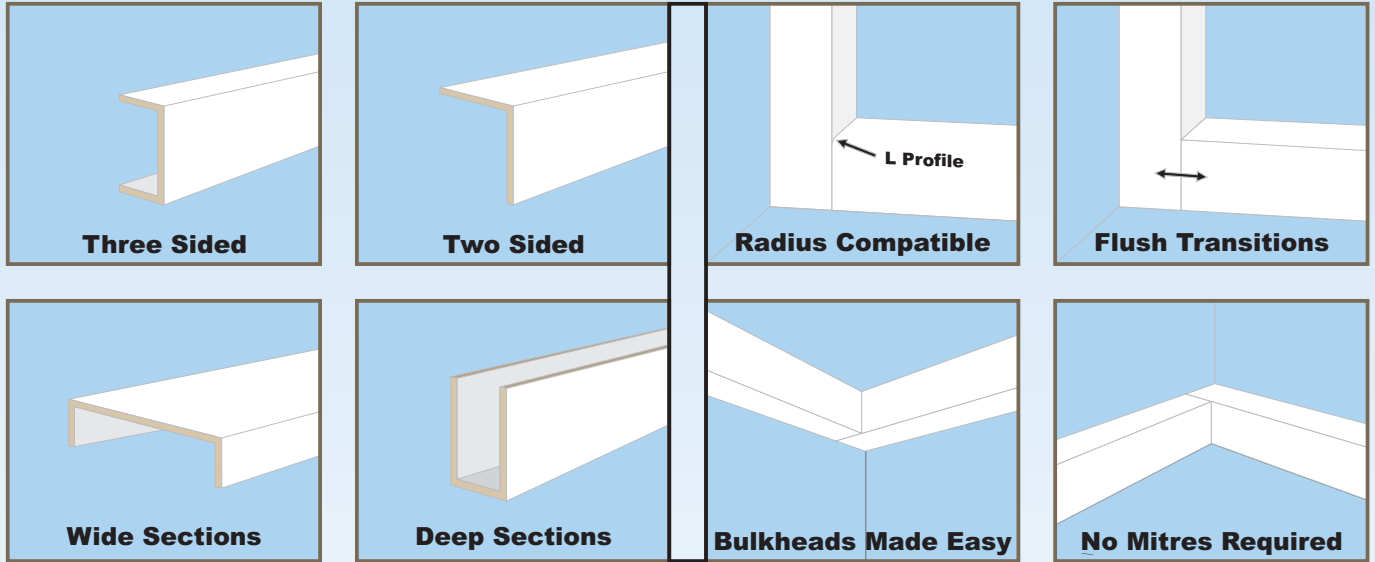
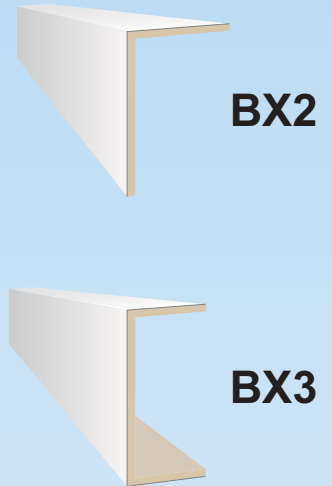
The rigidity of Zylo casings makes them suitable for on site mitres by hand, using standard joinery techniques, or by using a compound mitre saw or crosscut saw for the smaller sections.



# Pipe Boxing (Square Corners)

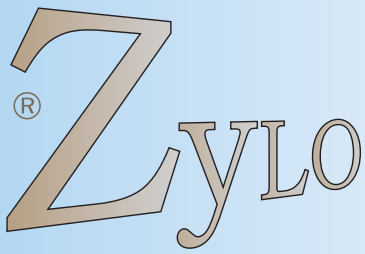
The “BX” range of square cornered pipe boxings are a low cost one piece seamless enclosure system for boxing in pipes, conduits, ducts and building structure irregularities. The profiles are perfectly square, with a clean straight line which enables them to blend in with traditional plastered edge walls to add quality and a professional touch to any new installation or refurbishment.

The BX range of square cornered pipe boxings can be painted, decorated, tiled or plastered.

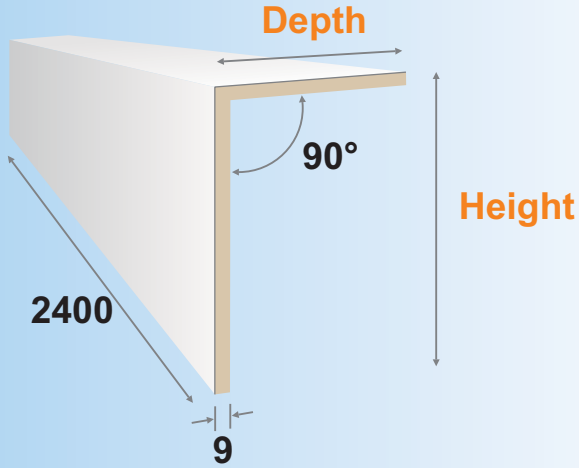


## Choice of Finishes

Finish	Description
Standard White ( paintable )	General use, medium duty, at the lowest cost
White Gloss	Economical, pre-finished, ideal for bathrooms & kitchens



## BX2 Profile (square corners)

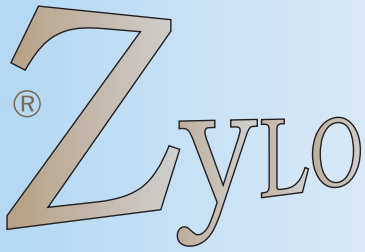


Finishes	
Standard White ( paintable )	✓
White Gloss	✓

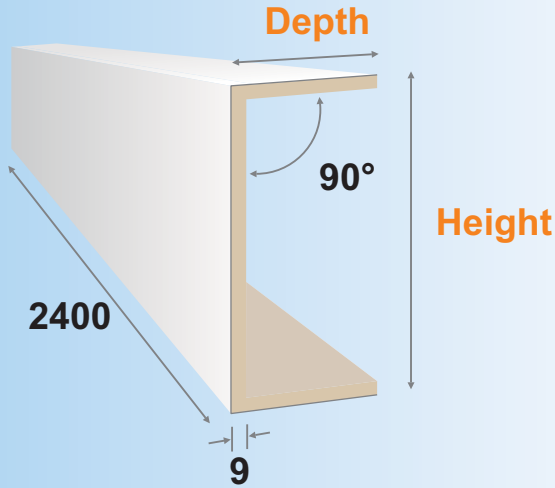
Standard Sizes										
Depth	Heights									
50	100	120	150	200	250	300	350	400	450	
80	100	120	150	200	250	300	350	400	450	
100	100	120	150	200	250	300	350	400	450	
120		120	150	200	250	300	350	400	450	
150			150	200	250	300	350	400	450	
200				200	250	300	350	400	450	
250					250	300	350	400	450	
300						300	350	400	450	

Non-standard Sizes available to special order

Availability of Fittings	
Stop Ends	All Sizes



# BX3 Profile (square corners)

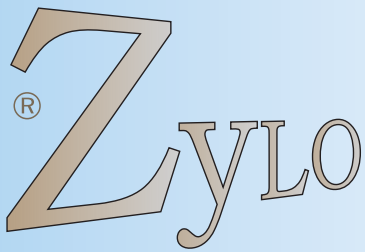


Finishes	
Standard White ( paintable )	✓
White Gloss	✓

Standard Sizes										
Depth	Heights									
50	100	120	150	200	250	300	350	400	450	
80	100	120	150	200	250	300	350	400	450	
100	100	120	150	200	250	300	350	400	450	
120		120	150	200	250	300	350	400	450	
150			150	200	250	300	350	400	450	
200				200	250	300	350	400	450	
250					250	300	350	400	450	
300						300	350	400	450	

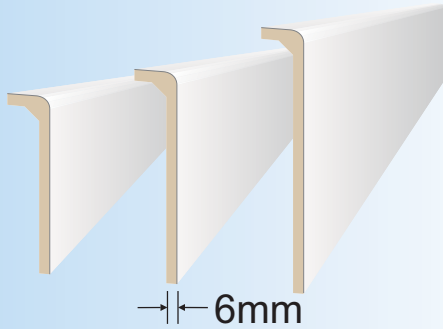
Non-standard Sizes available to special order

Availability of Fittings	
Stop Ends	All Sizes



# Zylo lite (skirting)

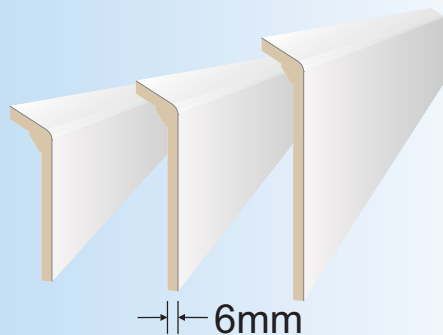
## L lite - Flat Top Cable Skirting



External Sizes			
Depth	Heights		
24	100	120	150

Fittings
Stop Ends
Cover Strips

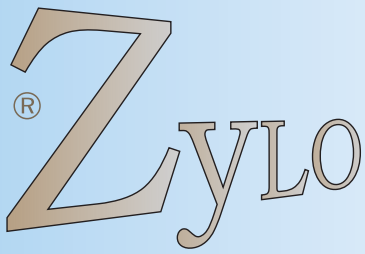
## R lite - Sloping Top Pipe Skirting



External Sizes			
Depth	Heights		
46	120	150	200

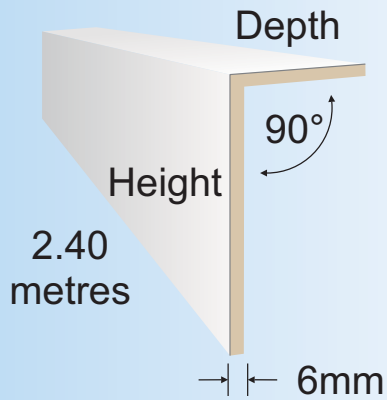
Available Fittings
Stop Ends
Cover Strips
Inside Corners
Outside Corners

Non-standard sizes are available to special order where existing skirting boards are to be covered .



# Zylo lite (vertical)

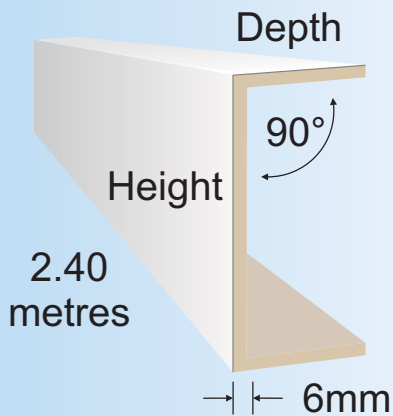
## BX2 lite - Vertical Boxing



External Sizes			
Depth	Heights		
46	150	200	250
75	150	200	250

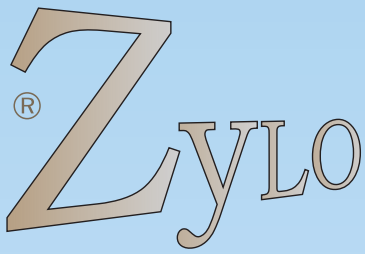
Fittings
Stop Ends
Cover Strips

## BX3 lite - Vertical Boxing



External Sizes			
Depth	Heights		
46	150	200	250
75	150	200	250

Fittings
Stop Ends
Cover Strips



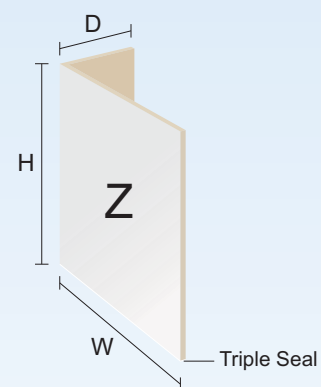
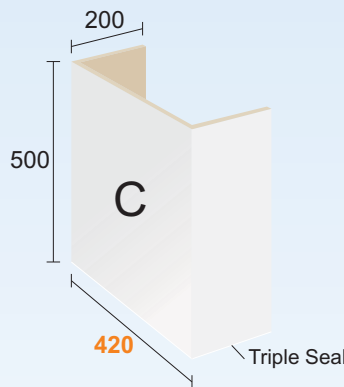
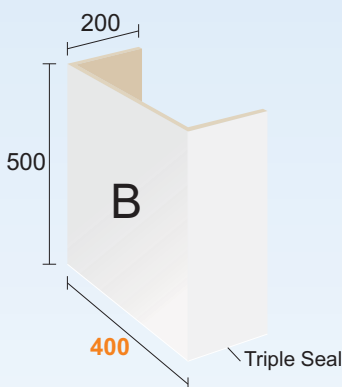
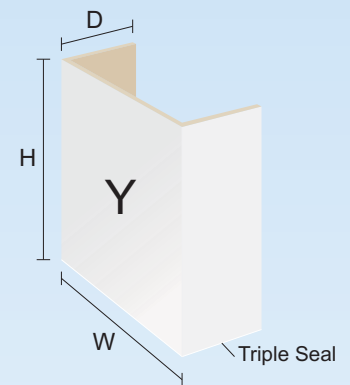
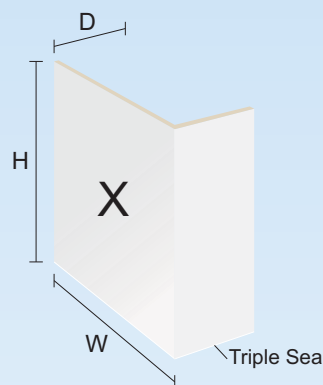
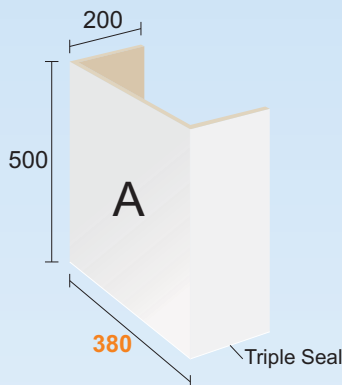
# Boiler Casings

Zylo Boiler Casings are designed to encase boiler pipework and flues in a one piece seamless product with no external joints. The design features square corners and a waterproof seal at the base which effectively prevents both water ingress the casing from sliding around on the surface in free standing applications.

The finish is semi matt white which is suitable for painting, wall papering or tiling to match your chosen decor. Boiler Casings are available in three standard widths and three custom configurations .

## Standard Range

## Custom Range

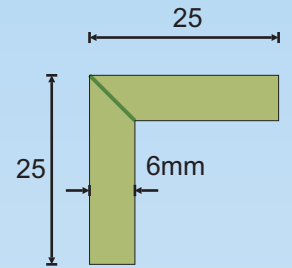


Triple Blade Soft Seal

Custom Range - Size Constraints		
Ref.	Minimum	Maximum
Depth	150	300
Width	350	450
Height	500	1200

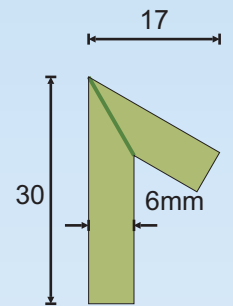
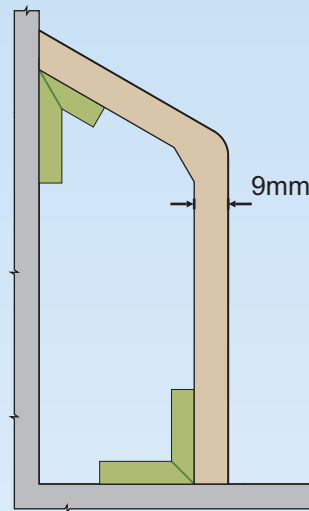
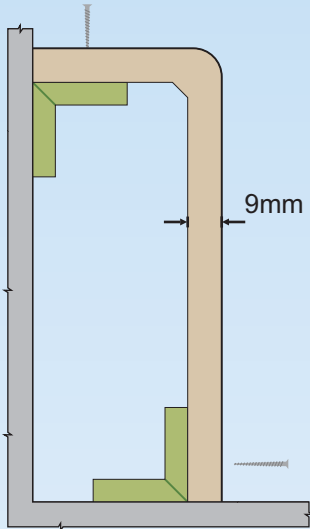
# Bracket Sizes

Ref	Size	Application
B1	25 x 25 x 2400	Right Angled Bracket
B2	25 x 17 x 2400	Sloping Top Bracket
B3	20 x 18 x 2400	Batten for 24mm Hollow Skirting



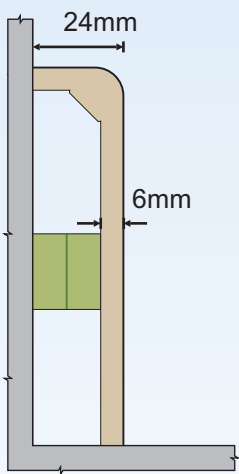
**B1 Bracket**

## Pipe Casing & Pipe Boxing Bracketing

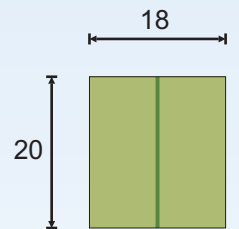
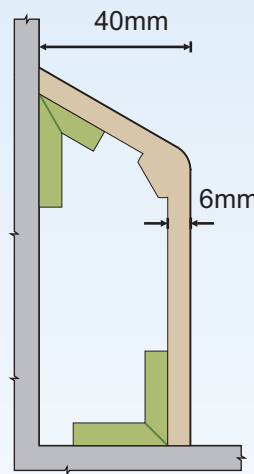


**B2 Bracket**

## Cable Skirting Bracketing

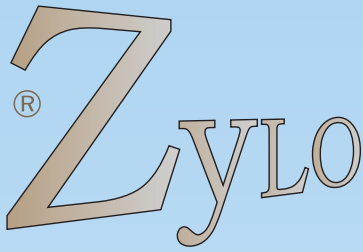


Cable skirting comes in two depths, 24mm and 40mm. The 24mm sections use one or more B3 spacer brackets whilst the larger 40mm size uses our standard B1 and B2 Brackets.



**B3 Bracket**





# Specification

## Sizes

All Zylo pipe casing and pipe boxing products are manufactured in standard lengths of 2400mm. There are a wide range of sizes with matching fittings available, to enable a neat and efficient installation. Non-standard sizes, extra deep and wide sections can usually be manufactured to special order.

## Construction

### Pipe Casings

Zylo pipe casings are manufactured in four profile shapes, namely L,U,R and C. They are formed from an inner core of 9mm moisture resistant medium density fibreboard using a patented process resulting in a profile with a tight radius bend of 7.5mm wrapped in a smooth seamless outer coating.

### Pipe Boxings

The Zylo "BX" range of pipe boxings are manufactured in two and three sided profile shapes, namely BX2 and BX3. They are formed from an inner core of 9mm moisture resistant medium density fibreboard, mitred to 90 degrees and wrapped in a seamless outer coating. The resultant corner joints have a radius of approximately 1.5mm.

### Zylo lite

The Zylo lite range of casings are manufactured in different profiles, L lite, R lite, BX2 lite and BX3 lite. Formed from an inner core of 6mm moisture resistant medium density fibreboard using a patented process resulting in a profile with a tight radius bend of 7.5mm wrapped in a smooth seamless outer coating.

## Fittings

Proprietary, 90 degree inside and outside corners are available for most Pipe Casing profile shapes and sizes. This eliminates untidy on site mitred joints, speeds up and simplifies installation, thus ensuring a professional finish every time. Cover strips are formed from an extruded aluminum profile specifically designed to act as a connection piece and slip joint. We recommend these to be used at all butt joints and between all profiles and fittings.

## Finishes

Two seamless hygienic finishes are available as follows

### Standard White - (paintable, semi-matt)

Our standard white plastic resin impregnated foil high resistant coating offers an attractive, low cost surface finish, with a very acceptable smooth, flat surface. It has a good resistance to abrasion, scratches and a wide range of chemicals. When used as a base coat it has the desirable property of being a substitute for priming and undercoating, enabling a top coat to be applied directly to its surface. The majority of paints such as polyurethane and acrylics adhere well to the surface. The final physical characteristics and resistance to chemicals will depend upon the applied finish.

Chemically resistance: DIN 68861 Part 1B to 1D scale

Fastness to light: 6 on the International wool scale, DIN EN ISO 105-B02

### Gloss White

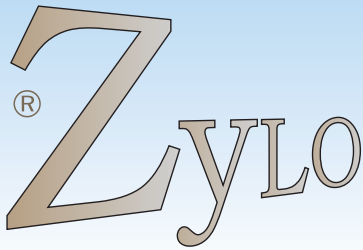
Our white gloss finish is a plastic resin impregnated coating offering an attractive, low cost surface finish ideally suited for bathrooms and kitchens. It has a very acceptable smooth, flat surface. It has a good resistance to abrasion, scratches and a wide range of chemicals.

Chemically resistance: DIN 68861 Part 1B to 1D scale

Fastness to light: 6 on the International wool scale, DIN EN ISO 105-B02

## Fire Protection

Our product has been tested and classified to EN 13501 and EN/TS 15117 Standards. For further details please contact our sales office.



## Contact Details

**Address :** BSMW Products Limited  
Birds Royd Lane  
Brighouse  
West Yorkshire  
HD6 1LQ

**Telephone :** 01484 713748

**Fax :** 01484 400831

**E-Mail :** [sales@pipecasings.co.uk](mailto:sales@pipecasings.co.uk)

**Web Site :** [www.pipecasings.co.uk](http://www.pipecasings.co.uk)

**Enquiries :** Please email your enquiries to the above address and include your company details, delivery address if applicable, together with the product quantities you require.

Product quantities should include the profile shape, depth, height, finish and number of fittings corresponding to each particular size.

Click [HERE](#) to obtain our **Enquiry Form** in PDF format from our web site.